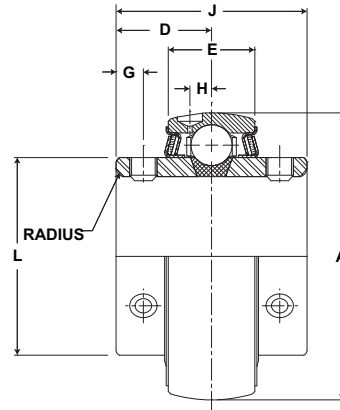




Duty: Standard
Rolling Elements: Ball
Lock: Double Setscrew
Seal: Felt
Optional Seal: Contact
Temperature: -20° to 220°F



Standard Duty Bearing Insert – Double Setscrew

Bore Diameter inch	Bearing Insert No.	Basic Dynamic Rating lb/N	Dimensions inch / mm							Max Rad. To Clear	Setscrew Thread	Unit Wt. lb/kg
			A	D	E	G	H	J	L			
7/8	2-014D	2801	2.0472	3/4	11/16	7/32	11/64	1 1/2	1 3/8	.040	1/4-28	.6
15/16	2-015D	12459	52	19.1	17.5	5.6	4.4	38	34.9	1.02		.27
1	2-1D											
1 3/16	2-13D	4381 19487	2.4409 62	7/8 22.2	7/8 22.2	7/32 5.6	7/32 5.6	1 3/4 44	1 19/32 40.5	.040 1.02	1/4-28	1.0 .45
1 1/4	2-14D	5782	2.8346	1	15/16	1/4	1/4	2	1 55/64	.040	5/16-24	1.5
1 3/8	2-16D	25718	72	25.4	23.8	6.4	6.4	51	47.2	1.02		.68
1 7/16	2-17D											
1 1/2	2-18D	7340	3.1496	1 5/32	1 3/32	5/16	19/64	2 5/16	2 1/16	.062	5/16-24	1.9
1 9/16	2-19D	32648	80	29.4	27.8	7.9	7.5	59	52.4	1.57		.86
1 11/16	2-111D	7901	3.3465	1 3/16	1 3/32	11/32	19/64	2 3/8	2 19/64	.062	5/16-24	2.2
1 3/4	2-112D	35144	85	30.2	27.8	8.7	7.5	60	58.3	1.57		1.00
1 7/8	2-114D	7889	3.5433	1 1/4	1 1/8	11/32	17/64	2 1/2	2 15/32	.062	3/8-24	2.4
1 15/16	2-115D	35090	90	31.8	28.6	8.7	6.7	64	62.7	1.57		1.09
2	2-2D	9752	3.9370	1 5/16	1 3/16	5/16	19/64	2 5/8	2 23/32	.080	3/8-24	2.8
2 1/8	2-22D	43377	100	33.3	30.2	7.9	7.5	67	69.1	2.03		1.27
2 3/16	2-23D											
2 1/4	2-24D	11789	4.3307	1 9/16	1 1/4	13/32	21/64	3 1/8	2 63/64	.080	3/8-24	3.7
2 3/8	2-26D	52437	110	39.7	31.8	10.3	8.3	79	75.8	2.03		1.68
2 7/16	2-27D											
2 11/16	2-211D	13971 62143	4.9213 125	1 3/4 44.5	1 3/8 34.9	15/32 11.9	3/8 9.5	3 1/2 89	3 7/16 87.3	.080 2.03	7/16-20	5.8 2.63
2 7/8	2-214D	14839	5.1181	1 3/4	1 1/2	7/16	3/8	3 1/2	3 41/64	.080	7/16-20	6.8
2 15/16	2-215D	66004	130	44.5	38.1	11.1	9.5	89	92.5	2.03		3.08
3 3/16	2-33D	17412 77449	5.5118 140	1 15/16 49.2	1 11/16 42.9	9/16 14.3	13/32 10.3	3 7/8 98	3 59/64 99.6	.120 3.05	7/16-20	7.2 3.27
3 1/4	2-34D	18681	5.9055	2 1/32	1 15/16	1/2	17/32	4 1/16	4 5/32	.120	7/16-20	9.3
3 3/8	2-36D	83093	150	51.6	49.2	12.7	13.5	103	105.6	3.05		4.22
3 7/16	2-37D											
3 1/2	2-38D	21566 95926	6.2992 160	2 7/32 56.4	2 50.8	1/2 12.7	15/32 11.9	4 7/16 113	4 25/64 111.5	.120 3.05	1/2-20	11.7 5.31